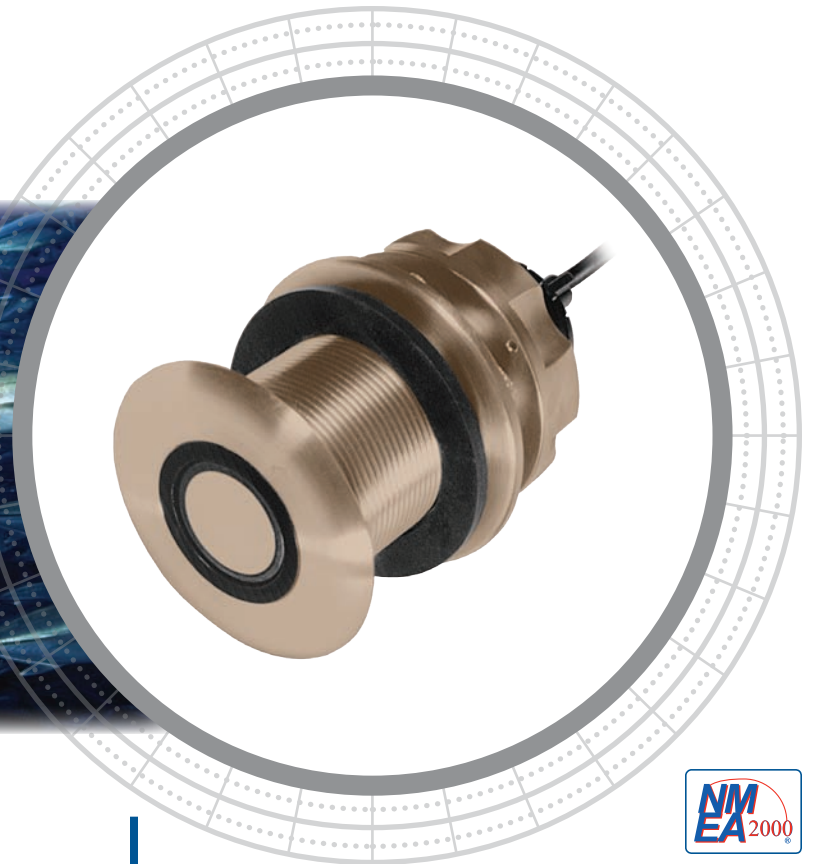


B17-HP



High-Precision Temperature

The B17 High-Precision Temperature Sensor provides fast-response to temperature changes with higher accuracy. The 25.4 mm (1") bronze button on the sensor face and the specialized fast-response thermistor provide a super fast 5 second time constant and $\pm 0.3^{\circ}\text{C}$ (0.17°F) accuracy. Precision temperature data is output to a chart plotter, radar screen, digital display, or computer. Separate interface boxes are available for NMEA 0183 or NMEA 2000[®] protocols. The units are ideal for fishing as they can detect thermal boundaries such as the edges of currents, which tend to concentrate bait and game fish.

Thru-Hull Low-Profile Temperature Sensor

High-Precision Smart[™]

Applications

- Sportfishing
- Commercial fishing

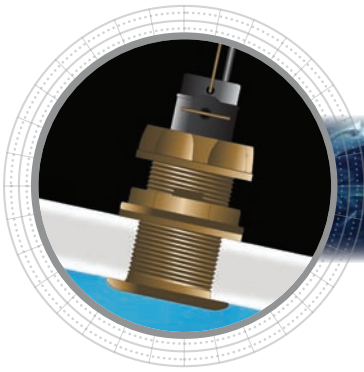
Features

- High-precision temperature with $\pm 0.3^{\circ}\text{C}$ (0.17°F) accuracy
- NMEA 0183 and NMEA 2000[®] versions available
- Temperature insert easily fits into any existing 51 mm (2") retractable Airmar housing
- Available in plastic, bronze, or stainless steel housings
- These low-profile housings are nearly flush and minimize drag with only 5 mm ($3/16$ ") extending outside the hull



Sensing Technology

www.airmar.com



Technical Information

SPECIFICATIONS

Weight:

- 0.6 kg (1.3 lb)—Plastic
- 1.3 kg (2.8 lb)—Bronze
- 1.6 kg (3.5 lb)—Stainless Steel

Temperature Accuracy: ±0.3°C (±0.17°F)

Temperature Resolution: 0.01°C (0.2°F)

Data Update Rate: 1 per second

Data Output Protocol: NMEA 0183 or NMEA 2000®

NMEA Data Sentence: YXMTW, PGN130310

Supply Voltage: 6 VDC to 28 VDC

Supply Current: 30 mA maximum

Maximum Extension Cable Length: 100 m (330')

Hole Diameter: 51 mm (2")

Temperature Range: 0°C to 30°C (32°F to 86°F)

DATA OUTPUT PROTOCOL

Analog Paddlewheel Format

OR

NMEA 2000® Supported PGNs

- 59392..... ISO Acknowledgement
- 600928..... ISO Address Claim
- 126208..... Acknowledge Group Function
- 126464..... Transmit PGN List Group Function
- 126464..... Received PGN List Group Function
- 126996..... Product Information
- 130310..... Environmental Parameters (Water Temperature)
- 130311..... Environmental Parameters (Water Temperature)
- 130312..... Environmental Parameters (Water Temperature)

DIMENSIONS

