

Commercial Marine & Keel-Mount Transducers

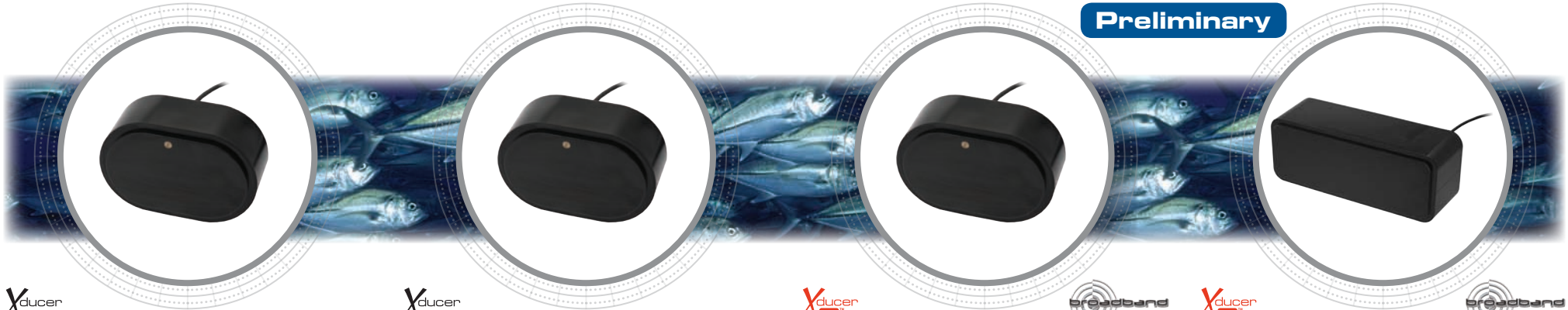
CM270W

CM260

CM265LH

CM599LH

Preliminary



1 kW

- Designed for tuna and marlin fishing
- Identical 25° beams at 50 kHz and 200 kHz
- 4 times wider at 200 kHz than all other 1 kW transducers

- 1,000 Watts
- Fast-response temperature sensor
- Urethane Housing
- Operating Frequencies:
 - LF—50 kHz
 - HF—200 kHz
- 12 m (40') cable
- Beamwidth:
 - LF—25° @ 50 kHz
 - HF—25° @ 200 kHz
- Maximum Depth Range:
 - LF—400 m to 610 m (1,350' to 2,000')
 - HF—100 m to 180 m (330' to 600')



1 kW

- Crystal clear image detail and resolution
- Distinguishes individual fish targets and fish tight to the bottom

- 1,000 Watts
- Fast-response temperature sensor
- Urethane Housing
- Operating Frequencies:
 - LF—50 kHz
 - HF—200 kHz
- 12 m (40') cable
- Beamwidth:
 - LF—19° @ 50 kHz
 - HF—6° @ 200 kHz
- Maximum Depth Range:
 - LF—529 m to 735 m (1,800' to 2,500')
 - HF—206 m to 294 m (700' to 1,000')



1 kW

- Operates at many popular commercial fishing frequencies
- Perfect for today's commercial sounders and next generation FM & CHIRP sounders
- 1,000 Watts RMS, 18 to 25 continuous Watts
- Fast-response temperature sensor
- Urethane Housing
- Operating Frequencies:
 - LF—42 kHz to 65 kHz
 - HF—130 kHz to 210 kHz
- 12 m (40') cable
- Beamwidth:
 - LF—18° to 25°
 - HF—6° to 10°
- Boat Size: 12 m (40') and up
- Optionally available as CM265LM, low & medium-frequency (85 to 135 kHz)



1 kW

- Operates at many popular commercial fishing frequencies
- Perfect for today's commercial sounders and next generation FM & CHIRP sounders
- 2,000 Watts RMS, 20 to 30 continuous Watts
- Fast-response temperature sensor
- Urethane Housing
- Operating Frequencies:
 - LF—38 kHz to 75 kHz
 - HF—130 kHz to 210 kHz
- 15 m (50') cable
- Beamwidth:
 - LF—11° x 17° to 6° x 11°
 - HF—7° to 5°
- Boat Size: 12 m (40') and up
- Optionally available as CM199LM, low & medium-frequency (85 to 135 kHz)

Tunable Transducers

Commercial Fishing Installations

- Transducers can mount flush inside a conventional steel tank
- Cable can fit into existing stuffing tube
- Tuna, shirashu, baitfish, and dredging applications
- 30% to 40% more efficient than Japanese commercial transducers
- Q is also 3 times lower providing higher resolution and better discrimination of fish and seabed



Sportfishing Installations

- Transducers can mount flush in the keels of larger sportfishing vessels
- A flush installation reduces drag and delivers crystal clear imaging—even at high speeds
- One transducer can operate at various frequencies



CM270W

CM260

CM265LH

CM599LH



50 kHz-AWIq & 200 kHz-BM		
Number of Elements and Configuration		
Beamwidth (@-3 dB)	25°	25°
RMS Power (W)	1 kW	1 kW
TVR	161 dB @ 50 kHz	165 dB @ 200 kHz
RVR	-175 dB @ 50 kHz	-194 dB @ 200 kHz
FOM	-19 dB @ 50 kHz	-30 dB @ 200 kHz
Q	4 @ 50 kHz	7 @ 200 kHz
Impedance	200 Ω @ 50 kHz	90 Ω @ 200 kHz

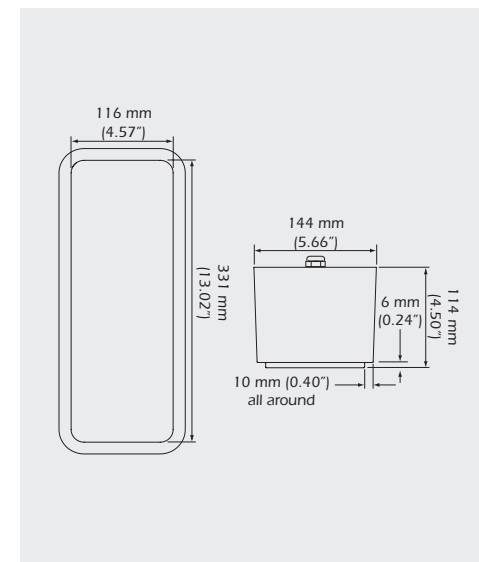
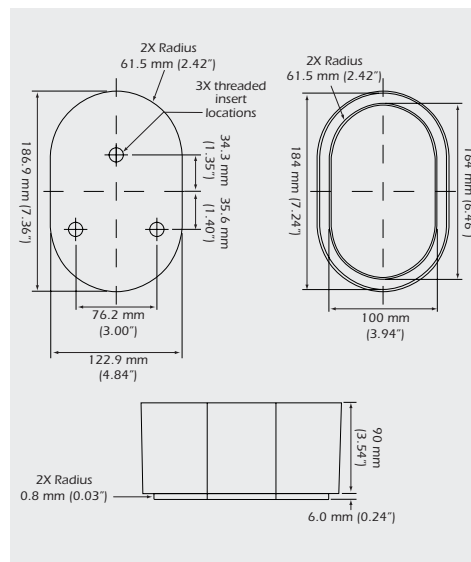
50 kHz-AE & 200 kHz-BH		
Number of Elements and Configuration		
Beamwidth (@-3 dB)	19°	6°
RMS Power (W)	1 kW	1 kW
TVR	162 dB @ 50 kHz	175 dB @ 200 kHz
RVR	-173 dB @ 50 kHz	-183 dB @ 200 kHz
FOM	-14 dB @ 50 kHz	-10 dB @ 200 kHz
Q	8 @ 50 kHz	8 @ 200 kHz
Impedance	250 Ω @ 50 kHz	90 Ω @ 200 kHz

	42-65kHz	130-210 kHz
Elements		
Pulse Power	1 kW	1 kW
Nominal TVR	166 dB	172 dB
Nominal RVR	-179 dB	-184 dB
Nominal FOM	-13 dB	-12 dB
Impedance	100-250 Ω	100-250 Ω

	38-75 kHz	130-210 kHz
Elements		
Pulse Power	2 kW	2 kW
Nominal TVR	169 dB	177 dB
Nominal RVR	-178 dB	-184 dB
Nominal FOM	-11 dB	-7 dB
Impedance	100-250 Ω	100-250 Ω

BEAM DIAMETER VS DEPTH		
Depth	50 kHz	200 kHz
9 m (30')	4 m (13')	4 m (13')
30 m (100')	14 m (45')	14 m (45')
122 m (400')	55 m (180')	55 m (180')
305 m (1,000')	137 m (450')	137 m (450')

BEAM DIAMETER VS DEPTH		
Depth	50 kHz	200 kHz
9 m (30')	3 m (10')	0.9 m (3')
30 m (100')	10 m (34')	3.3 m (11')
122 m (400')	41 m (134')	13 m (42')
305 m (1,000')	102 m (335')	32 m (105')



SEE CM265LH DIMENSIONS

SEE CM265LH DIMENSIONS