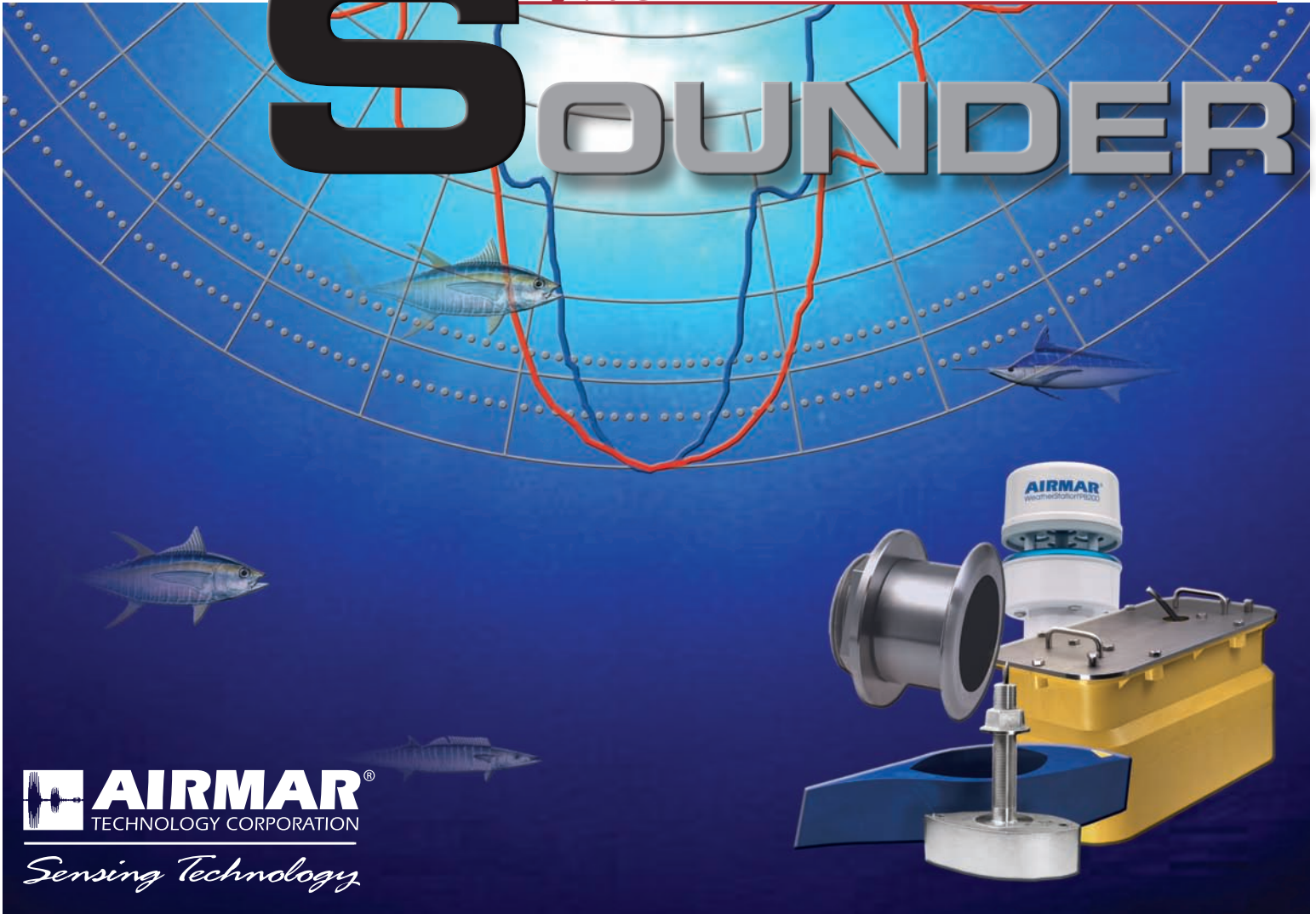


# The **S**OUNDER



## Welcome

The Sounder is Airmar's quarterly newsletter that presents our latest innovative products, offers hands-on installation tips, explains our quality features, and acquaints OEMs, installers, and the press with our company's resources.

### Summer 2010 Features

- New Airmar Website
- SS555 Replacement
- WeatherCaster™ Update
- B122 Plastic Flange

If you know someone who would like to receive this informative newsletter, or if you would like to unsubscribe, please e-mail [mreedenaer@airmar.com](mailto:mreedenaer@airmar.com).

---

## Check Out the NEW [airmar.com](http://airmar.com)

Airmar has launched a new state-of-the-art website that is faster, more product-oriented, and easier-to-use. Transducers can be a complex and baffling subject—even to those in the industry—so delivering, easy-to-find, easy-to-understand information is essential. We've reorganized the site so visitors can quickly navigate to the products or areas of their interest.

The main page (shown at right) lists all Airmar product areas along the top header and down the right side. Product documentation such as bulletins, brochures, owner's guides, and other site information is located along the footer at the bottom of the page. This includes links to [Airmar's Youtube®](#) page where visitors can view installation and performance videos of our popular products. High resolution product images and illustrations are also linked here from [Airmar's Flickr®](#) page. A search box is located at the top right of the page.



The updated Transducer Cross Reference, located in the bottom footer, gives customers technical information on Airmar's current transducer line. Users can enter a fishfinder manufacturer, fishfinder model number, or Airmar model number to see what units are compatible with a specific transducer. From here the user can download owner's guides, wiring diagrams, specification sheets, and frequency information—all in easy to read PDF format.

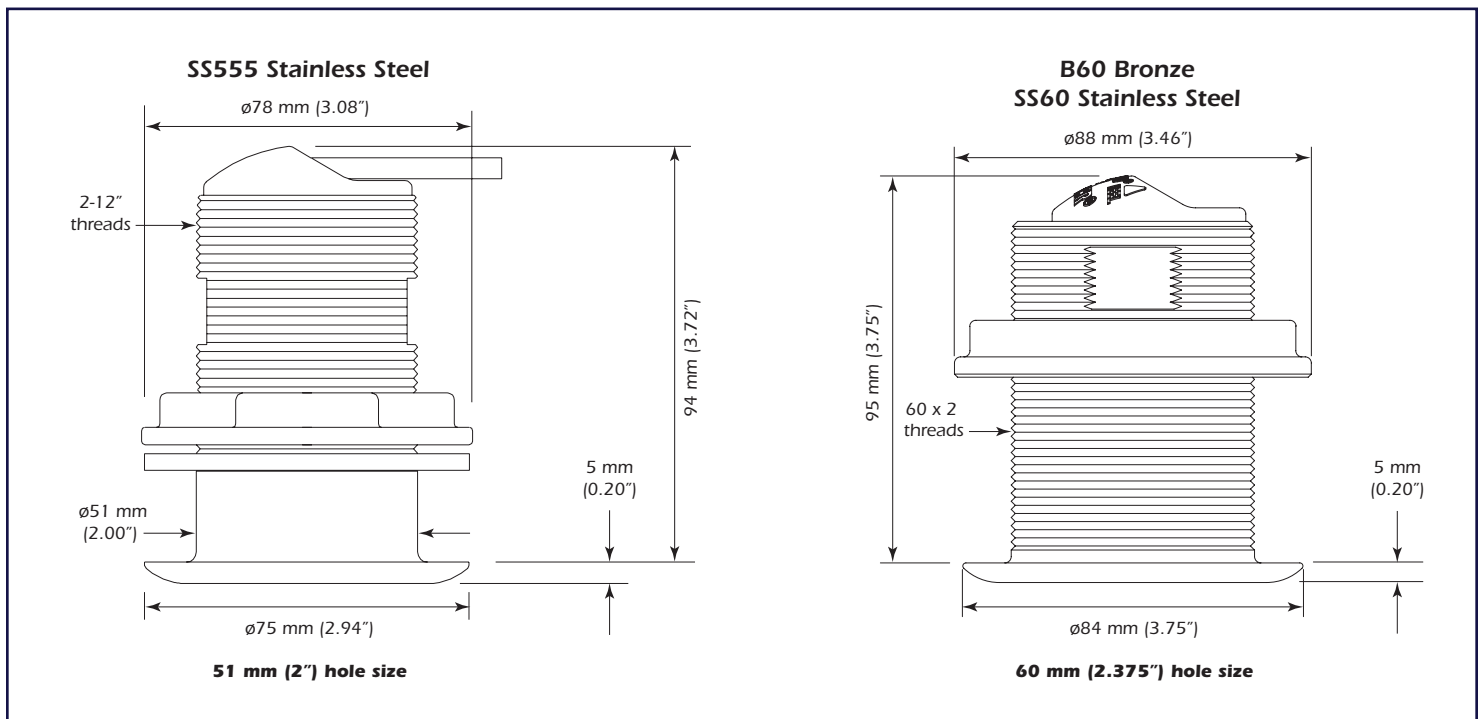
Airmar has also expanded the popular FAQ section. This is more than a static list of questions and answers. Customers can search topics or products and instantly view a list of related questions and answers. Visitors can also submit new questions to be answered in a timely manner by Airmar's team of technical support experts.

Email your website feedback to [webmaster@airmar.com](mailto:webmaster@airmar.com).

## SS60 Housing to Replace SS555, Stainless-Steel Transducer Housing

New orders for our SS555 stainless-steel transducer will be replaced by the **SS60, 0° tilt transducer**. This housing will be used to build all 600 watt, stainless steel, 50/200 kHz configurations, including the popular Tilted Element™ Transducers. The internal construction of both the SS555 and SS60 are identical, so customers will receive the same quality performance.

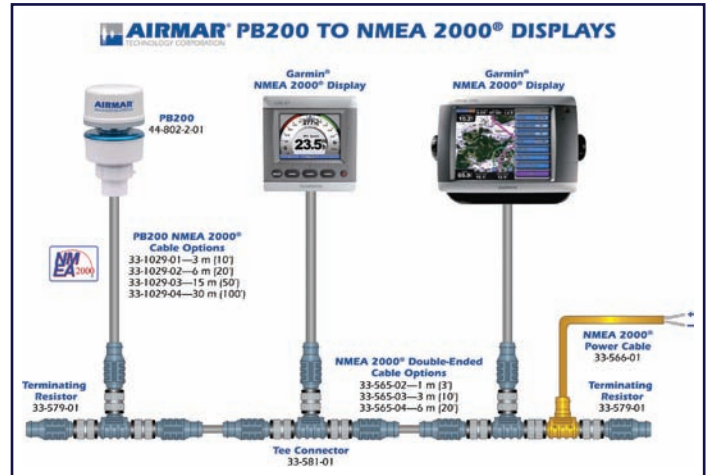
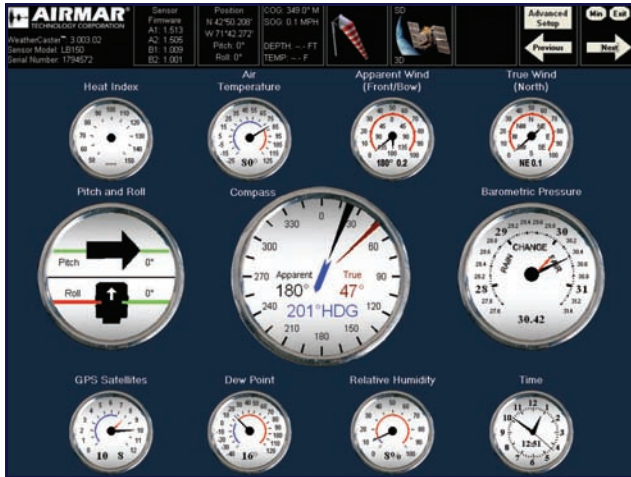
The dimensional drawings below show the form and fit differences between the SS555 and the SS60. Please note that the SS60 requires a 2-3/8" hole to be drilled in a fiberglass hull, and a 2-3/4" hole to be drilled in a metal hull for isolation. Installation of the SS60 is similar to installing the popular **B60 Tilted Element™** unit.



Additional information on this and any Airmar product can be obtained from your Airmar sales account manager and by visiting our new website at [www.airmar.com](http://www.airmar.com).

# WeatherStation® & WeatherCaster™ Update

1. Please download the latest version of WeatherCaster software at [this link](#) on our new website. There are also drivers for Windows® 7 machines on the page.
2. Check out the new step-by-step WeatherCaster installation and operation videos on [Airmar's Youtube page!](#)
3. Check out the detailed WeatherStation connection drawings on [Airmar's Flickr® page!](#)



## Install A B122—Without a Fairing!

Did you know that the [B122 Long-Stem](#)—a NMEA 0183 or NMEA 2000 Smart™ Sensor—can be installed without a fairing as a low profile mount? Our engineers have designed a plastic flange which slides down the stem for a low-profile installation similar to the DT800 Smart™ Sensor. Please contact our distributors Gemeco or Airmar-EMEA for pricing and availability.

